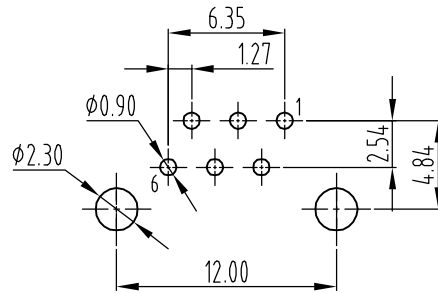
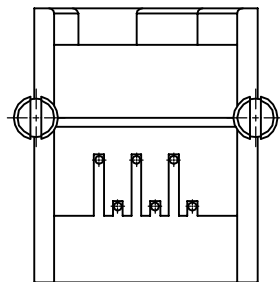
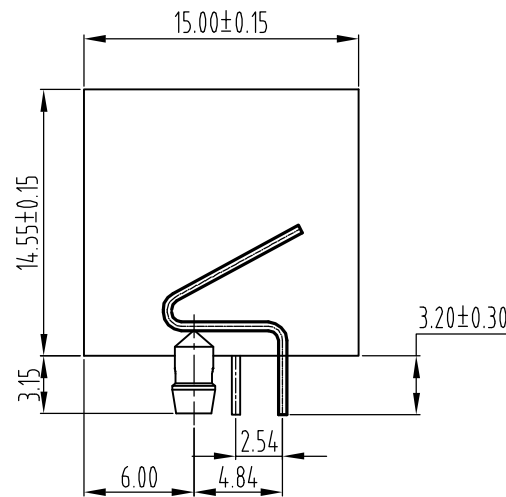
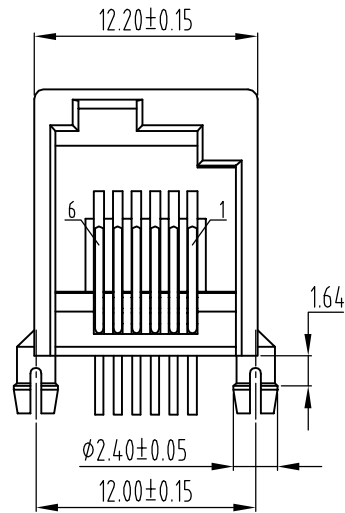


REVISION RECORD				
REV	ECD	DESCRIPTION	DRFT	CHKD



PCB LAYOUT/TOP VIEW

NOTES:

MATERIAL:

- 1.HOUSING :GLASS FILLED POLYESTER UL94V-0
- 2.CONTACT (ROUND PIN  $\phi 0.46\text{mm}$ ) :PHOSPHOR BRONZE WITH GOLD PLATING OVER NICKEL.

ELECTRICAL:

- 1.VOLTAGE RATING :125V AC.
- 2.CURRENT RATING :1.5AMP.
- 3.CONTACT RESISTANCE :30 MILLIOHMS MAX.
- 4.INSULATION RESISTANCE :500 MEGOHMS MIN @ 500V DC.
- 5.DIELECTRIC WITHSTANDING VOLTAGE :1000V AC RMS 50Hz OR 60Hz, 1MIN.

MECHANICAL:

- 1.INSERTION FORCE :2.2Kg MAX.
- 2.RETENTION STRENGTH :7.7Kg BETWEEN JACK AND PLUG
- 3.DURABILITY :750 CYCLES MIN.

ENVIRONMENTAL:

- 1.STORAGE : -40°C~+85°C.
- 2.OPERATION : -40°C TO 85°C.

THE MARTS MODULAR PLUG CONFORMAING TO FCC PART68

PART NUMBER:

DETACHED LISTS	MM (INCH)		DFTD JIANX	DATE 2011-06-02		
	TOLERANCES EXCEPT AS NOTED		CHKD	DATE		
			MFD	DATE		
			APPVL	DATE		
MM		±	MATERIAL :		<b>TITLE</b> <b>5523 PCB JACK 6P6C</b>	
.0 ± 0.15	±					
.00 ± 0.08	±			DRAWING NO.	SIZE A4	REV A/1
.000 ± 0.05	±			/PART NO.		
ANGLES ± 0.01°		QT'Y :		DO NOT SCALE DRAWING		
		FINISH :		SHEET X OF V		
THIRD ANGLE PROJECTION		SCALE :				